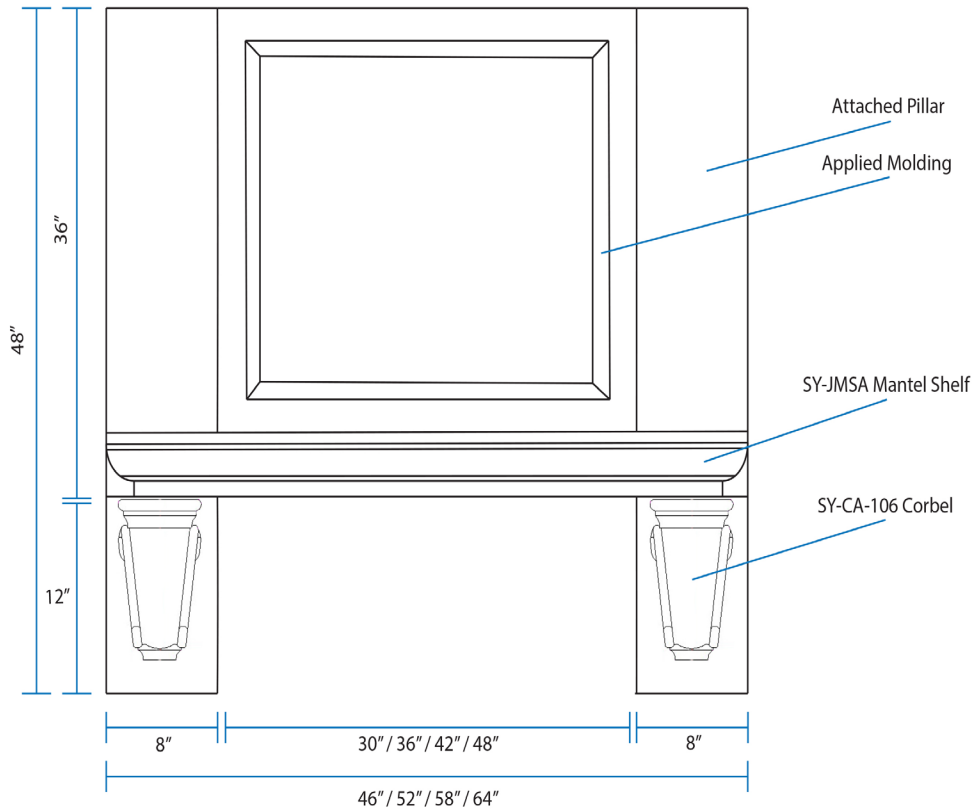


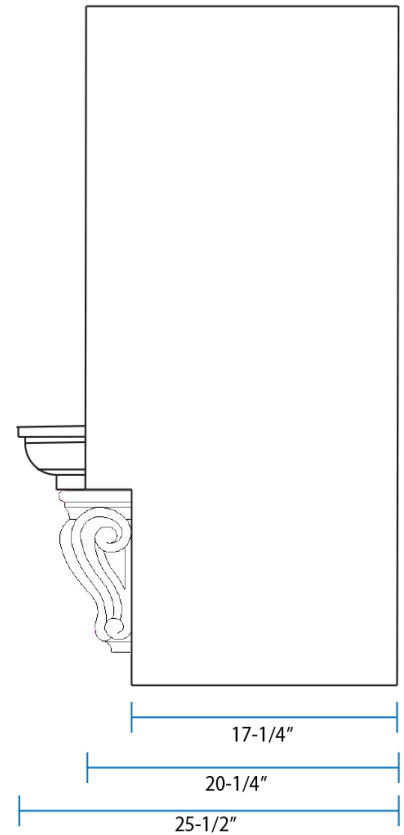
# Classic Mantel Range Hood



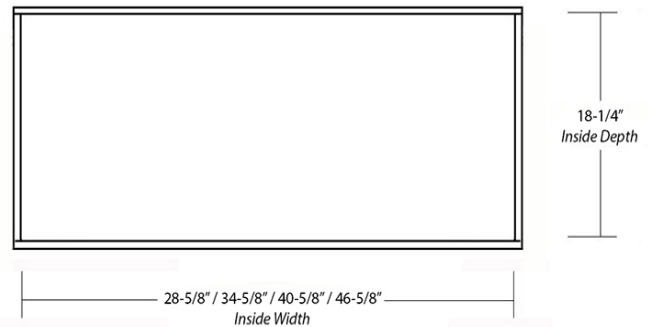
Front View



Side View



Item #	Dimensions (h) x (w) x (d)	Liner	Liner
SY-CMH46	48" x 46" x 25-1/2"	SY-HLB-30	SY-HLZ-30
SY-CMH52	48" x 52" x 25-1/2"	SY-HLB-36	SY-HLZ-36
SY-CMH58	48" x 58" x 25-1/2"	SY-HLB-42	SY-HLZ-42
SY-CMH64	48" x 64" x 25-1/2"	SY-HLB-48	SY-HLZ-48



- Hardwood Plywood and Solid Lumber Construction
- 1/2" Rear Plywood Stretchers for wall mounting
- Accepts SY-HLB series Powder Coated or Stainless Steel Liners (sold separately)
- Select from 250, 390 and 500 CFM Broan Ventilation power packs (sold separately) or
- Ascension 350SL, 350SS and 500SS CFM Ventilation power packs (sold separately) or
- 30" and 36" models accept Z-Line 900 CFM Professional Ventilators (requires HLZ series Liners)
- 42" and 48" models accept Z-Line 1200 CFM Professional Ventilators (requires HLZ series Liners)
- Available in Alder, Cherry, Hickory, Maple and Red Oak
- Increased Height and Depth options available
- Alternate Corbel designs available

