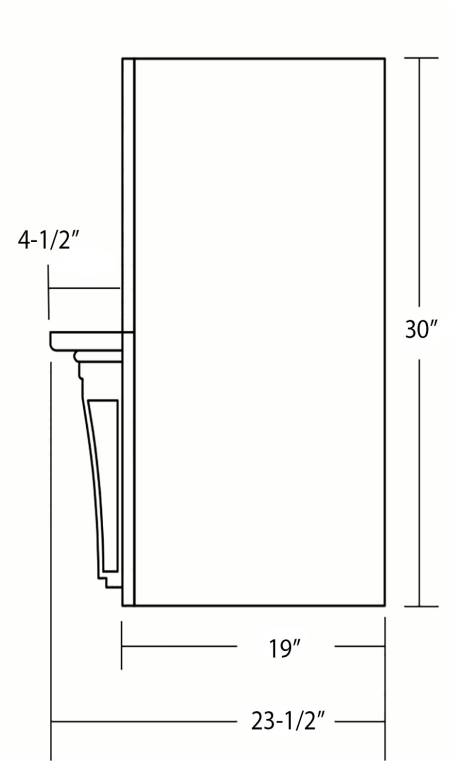
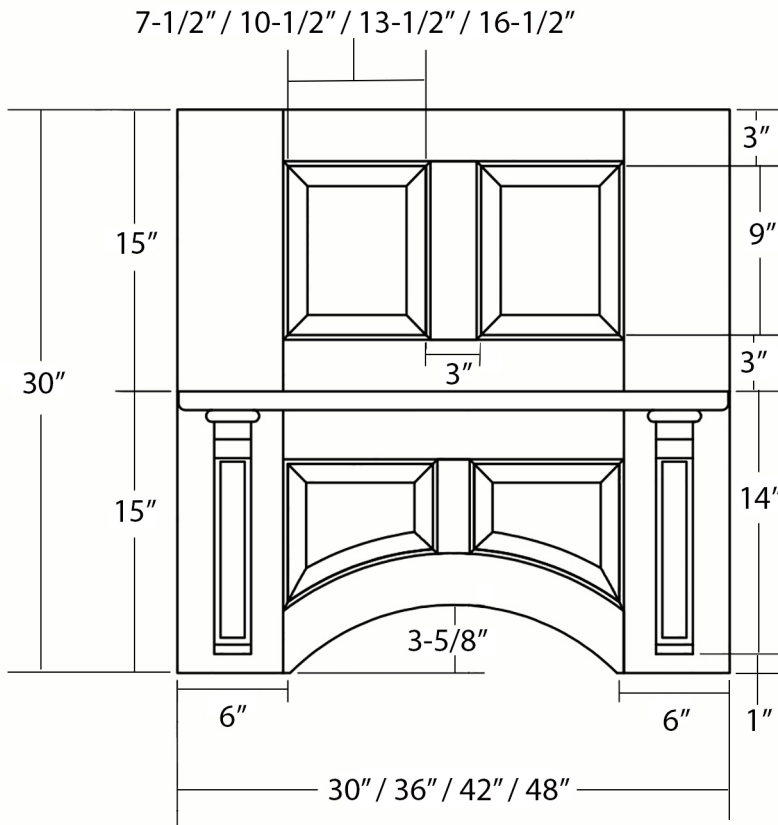




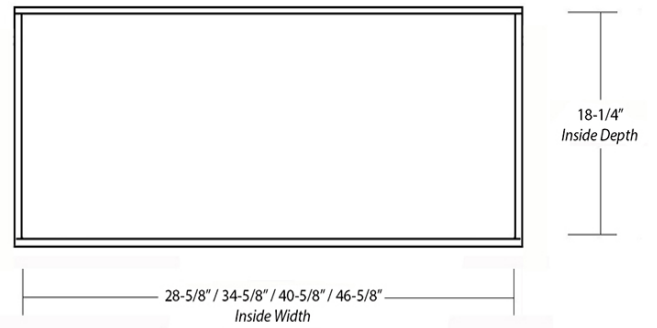
# Connoisseur Mantel Range Hood

Front View

Side View



Item #	Dimensions (h) x (w) x (d)	Liner	Liner
SY-WMDP-3030	30" x 30" x 19"	SY-HLB-30	SY-HLZ-30
SY-WMDP-3630	30" x 36" x 19"	SY-HLB-36	SY-HLZ-36
SY-WMDP-4230	30" x 42" x 19"	SY-HLB-42	SY-HLZ-42
SY-WMDP-4830	30" x 48" x 19"	SY-HLB-48	SY-HLZ-48



- Hardwood Plywood and Solid Lumber Construction
- 1/2" Rear Plywood Stretchers for wall mounting
- Accepts SY-HLB series Powder Coated or Stainless Steel Liners (*sold separately*)
- Select from 250, 390 and 500 CFM Broan Ventilation power packs (*sold separately*) or
- *Ascension 350SL, 350SS and 500SS CFM Ventilation power packs (sold separately) or*
- *30" and 36" models accept Z-Line 900 CFM Professional Ventilators (requires HLZ series Liners)*
- *42" and 48" models accept Z-Line 1200 CFM Professional Ventilators (requires HLZ series Liners)*
- Available in Cherry, Maple and Red Oak
- Detachable front Upper Panel for easy access
- Increased Depth option available
- Alternate Corbel designs available

