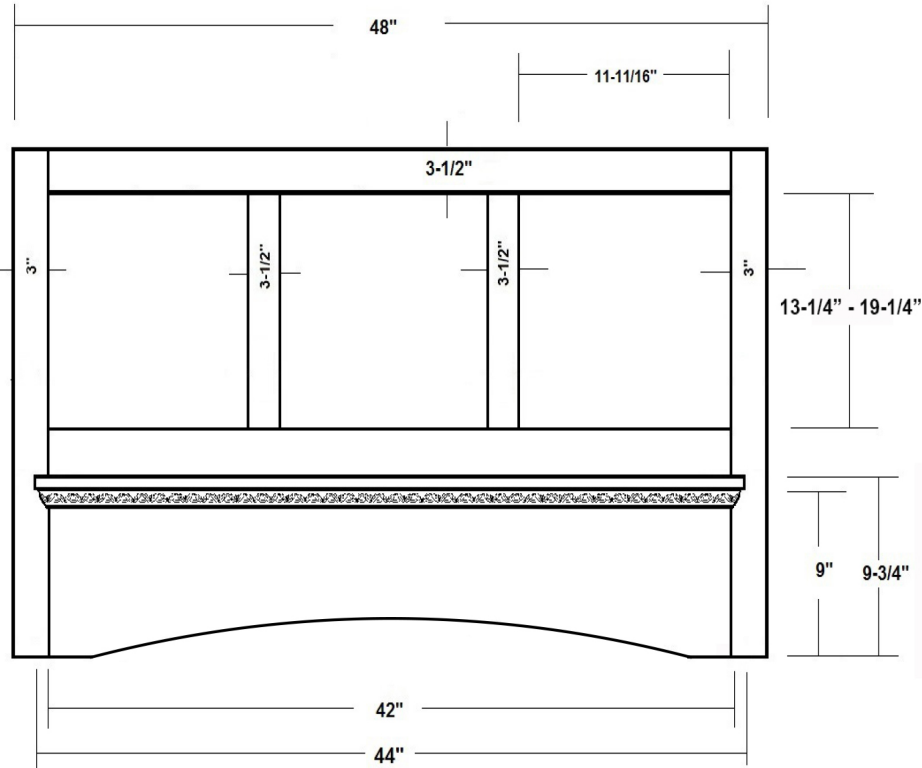


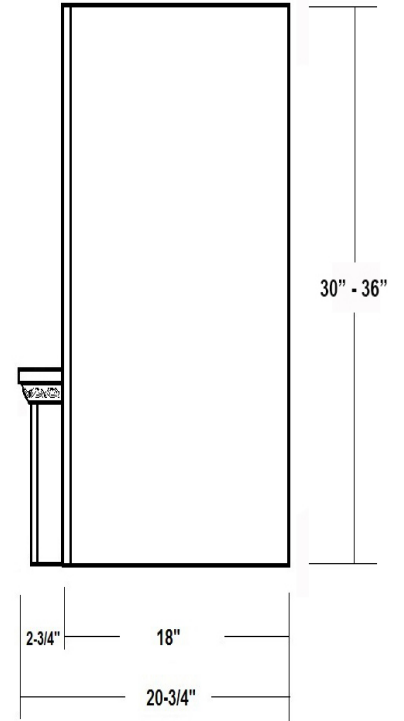


# Acanthus Mantel Range Hood

Front View

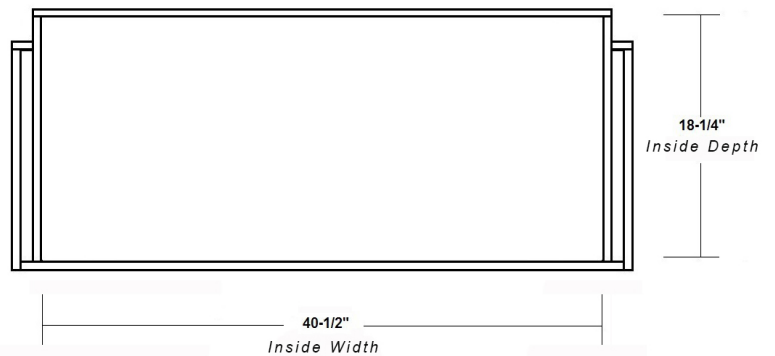


Side View



Molding Detail

Item #	Dimensions (h) x (w) x (d)	Liner	Liner
SY-WMHAA4830	30" x 48" x 20-3/4"	SY-HLB-42	SY-HLZ-42
SY-WMHAA4836	36" x 48" x 20-3/4"	SY-HLB-42	SY-HLZ-42



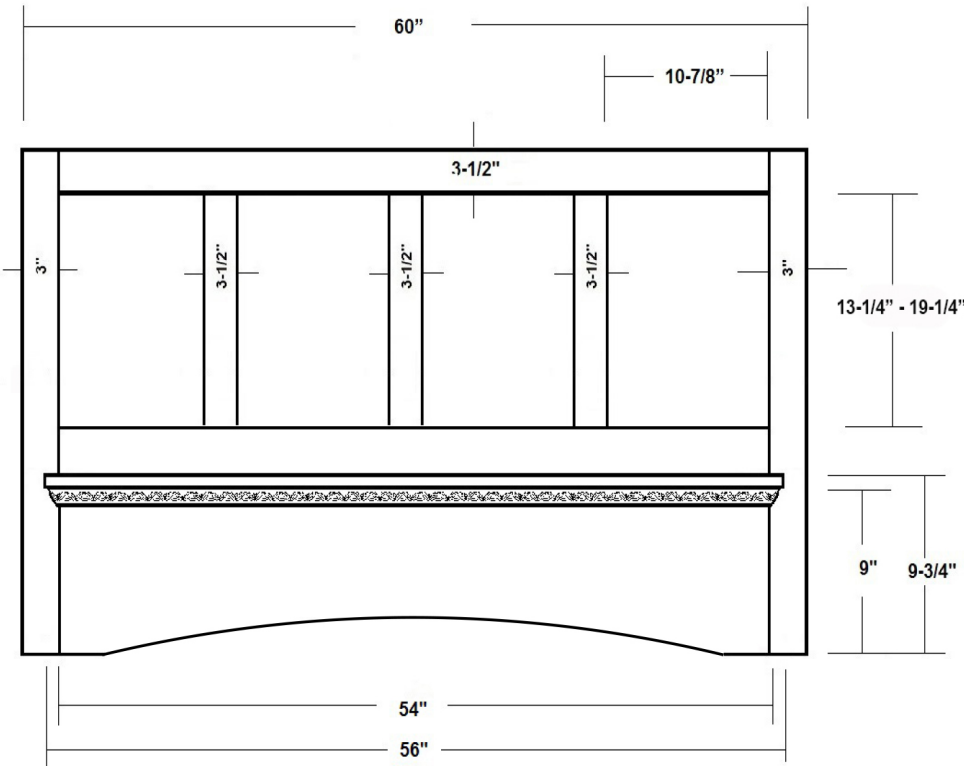
- Hardwood Plywood and Solid Lumber Construction
- 1/2" Rear Plywood Stretchers for wall mounting
- Accepts SY-HLB series Powder Coated or Stainless Steel Liners (sold separately)
- Select from 250, 390 or 500 CFM Broan Ventilation power packs (sold separately) or Ascension 350SL, 350SS and 500SS CFM Ventilation power packs (sold separately) or Z-Line 1200 CFM Professional Ventilators (requires HLZ series Liners)
- Available in Cherry, Maple and Red Oak
- Increased Depth option available



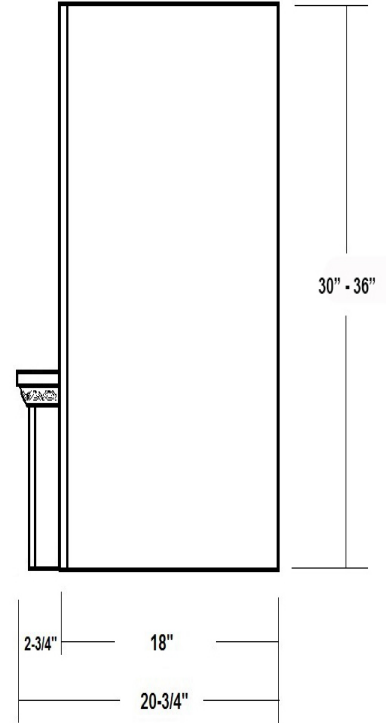
# Acanthus Mantel Range Hood



Front View

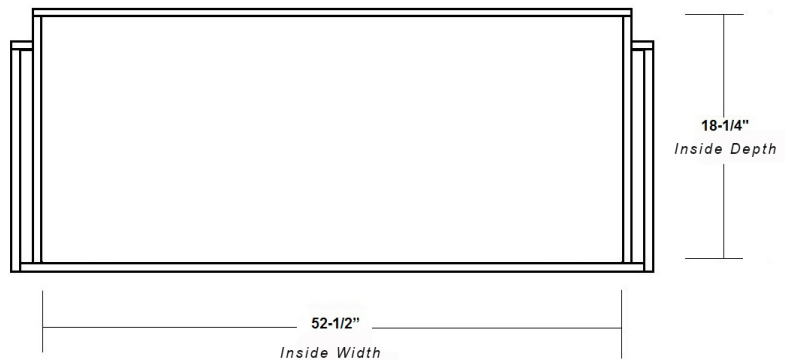


Side View



Molding Detail

Item #	Dimensions (h) x (w) x (d)	Liner	Liner
SY-WMHAA6030	30" x 60" x 20-3/4"	SY-HLB-48	SY-HLZ-48
SY-WMHAA6036	36" x 60" x 20-3/4"	SY-HLB-48	SY-HLZ-48



- Hardwood Plywood and Solid Lumber Construction
- 1/2" Rear Plywood Stretchers for wall mounting
- Accepts SY-HLB series Powder Coated or Stainless Steel Liners (sold separately)
- Select from 250, 390 or 500 CFM Broan Ventilation power packs (sold separately) or Ascension 350SL, 350SS and 500SS CFM Ventilation power packs (sold separately) or Z-Line 1200 CFM Professional Ventilators (requires HLZ series Liners)
- Available in Cherry, Maple and Red Oak
- Increased Depth option available

