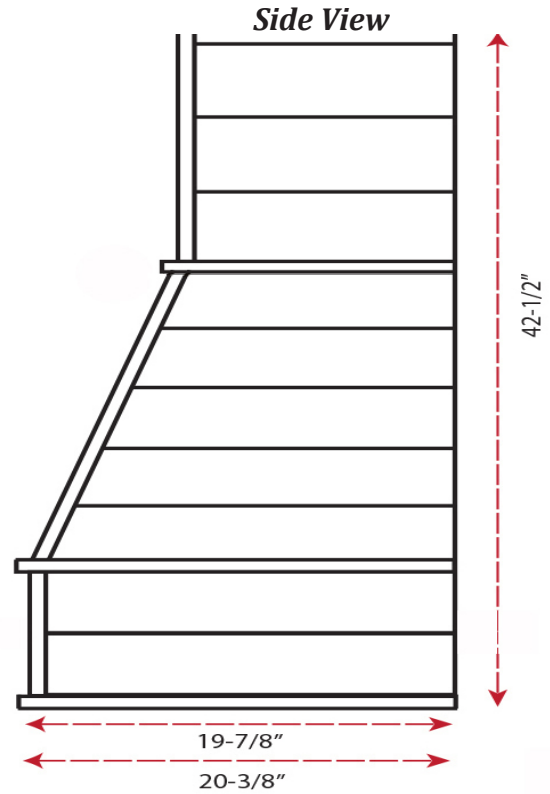
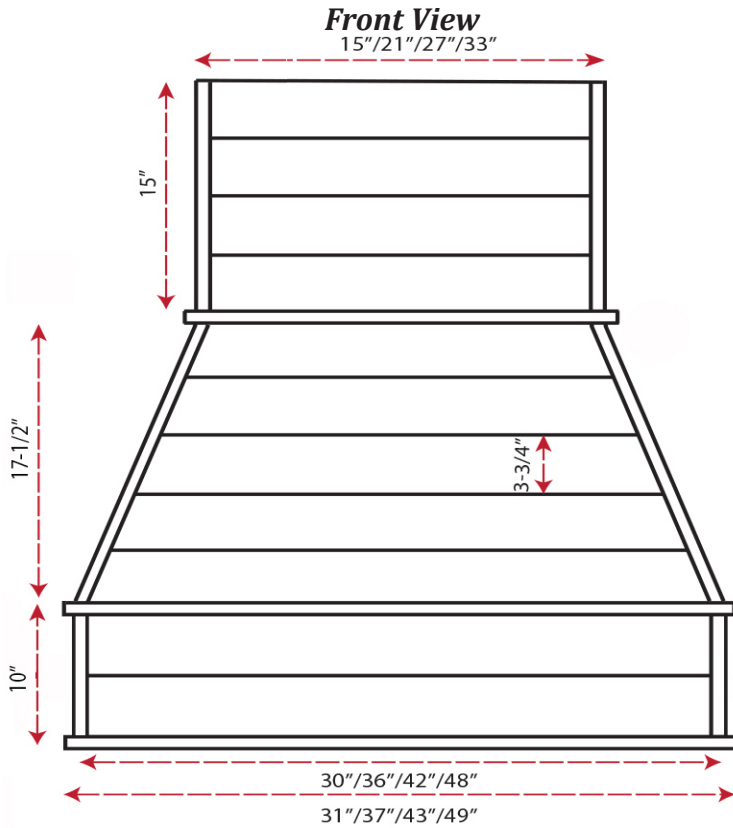
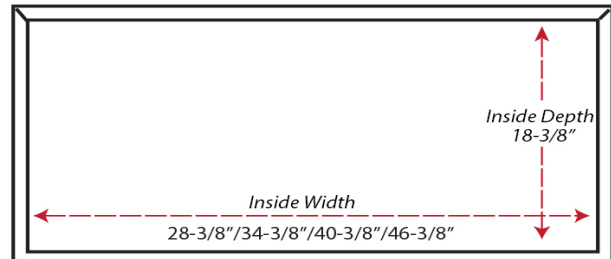




# Shiplap XL Chimney Range Hood



Item #	Dimensions (h) x (w) x (d)	Liner	Liner
SY-WCSLXXL-30	42-1/2" X 31" X 20-3/8"	SY-HLB-30	SY-HLZ-30
SY-WCSLXXL-36	42-1/2" X 37" X 20-3/8"	SY-HLB-36	SY-HLZ-36
SY-WCSLXXL-42	42-1/2" X 43" X 20-3/8"	SY-HLB-42	SY-HLZ-42
SY-WCSLXXL-48	42-1/2" X 49" X 20-3/8"	SY-HLB-48	SY-HLZ-48



- Solid Hardwood Lumber Construction
- 1/2" Rear Plywood Stretchers for wall mounting
- Accepts SY-HLB series Powder Coated or Stainless Steel Liners (*sold separately*)
- Select from 250, 390 and 500 CFM Broan Ventilation power packs (*sold separately*) or
- Ascension 350SL, 350SS, and 500SS CFM Ventilation power packs (*sold separately*)
- 30" and 36" models accept Ascension 900 CFM Professional Ventilators (*requires HLZ series Liners*)
- 42" and 48" models accept Ascension 1200 CFM Professional Ventilators (*requires HLZ series Liners*)
- Available in Alder, Cherry, Hickory, Maple and Red Oak
- Includes standard Chimney Extension (*see drawing*)
- Optional 26-1/4" and 37-1/2" height Chimney Extensions available

